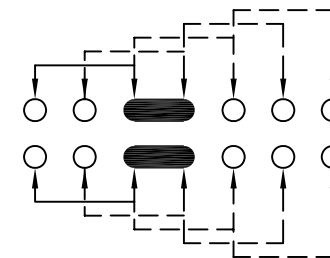
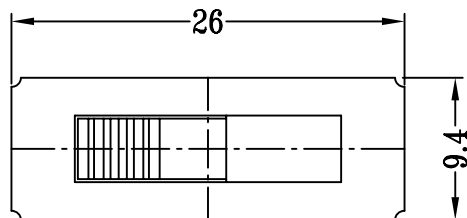
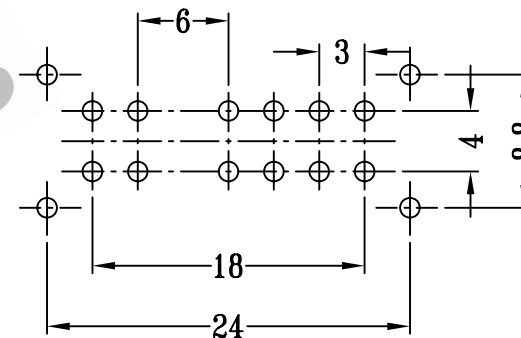
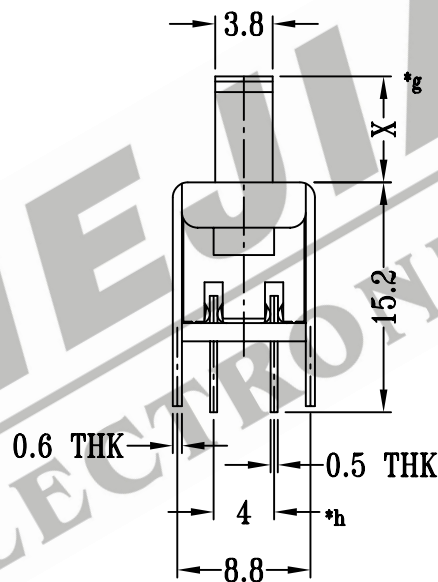
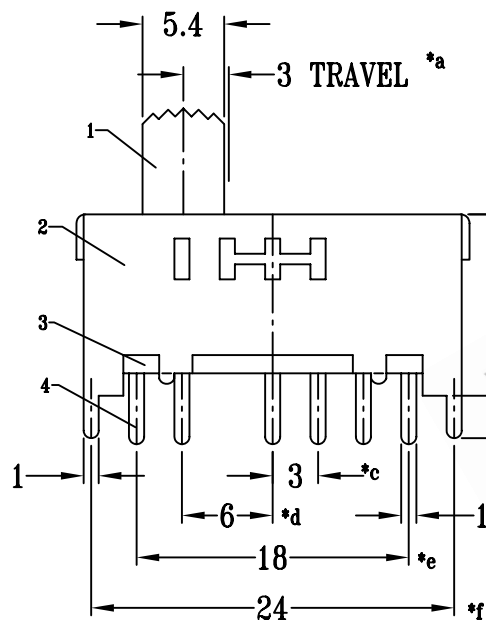


CAD FILE:



**SCHMATIC (SHORTING)**



**P.C.B LAYOUT**

注:带"\*"表示关键尺寸(8个)

NO.	PARTS	MATERIALS	Q'TY	FINISH	TOLERANCE UNLESS SPECIFIED	SHENZHEN XIEJIA ELECTRONICS CO.,LTD.					
8						TITLE : VERTICAL SLIDE SWITCH		UNIT : mm	DRWG NO.: XJ-DR-SS25F02-00		
7	CONTACT (CLIP)	PBS STRIP	2	Ag PLATED	WITHIN: 1.5±0.1mm	MODEL: SS-25F02		SCALE: 2:1	DWN.	ZHOUYU	2005-7-22
6	SPRING	STEEL WIRE	1	TEMPER	OVER : 1.5±0.2mm				CHK'D	FANGYING	2005-7-22
5	STEEL BALL	STEEL	2	NATURAL					APPD.	KANGXINAN	2005-7-22
4	TERMINAL	BRASS STRIP	12	Ag PLATED OVER Ni PLATED							
3	TERMINAL BASE	PHENOLIC RESIN	1	BLACK							
2	FRAME	STEEL STRIP	1	Ni PLATED							
1	KNOB	POM	1	BLACK							
					ALL MATERIALS MUST BE COMPLIANT TO ROHS						